

## Parts catalogue LP 14/2





Parts catalogue LP 14/2

Manufacturer: ETNA Vending Technologies b.v.  
P.O. Box 200  
7130 AE Lichtenvoorde  
The Netherlands

Distributor:

© ETNA Vending Technologies b.v.

Articlecode: 966958101  
Status: 3  
Revision: 1

# PARTS CATALOGUE

<b>1</b>	<b>MACHINE HOUSING</b>	<b>5</b>
1.1	Selection panel	6
1.2	Service panels	7
1.3	Door accessoires	8
1.3.1	Light box	9
1.4	Extraction	10
1.4.1	Fan for steam extraction	10
1.5	Drip tray sensor	11
<b>2</b>	<b>WATER SYSTEM</b>	<b>12</b>
2.1	Water inlet valve and pressure regulator	12
2.2	Flowmeter	13
2.3	Boiler	14
2.3.1	Boiler	14
2.4	Water pump	15
2.5	Valve	16
2.6	Feed pump	17
<b>3</b>	<b>DRINK PREPARATION</b>	<b>19</b>
3.1	Brewer	19
3.1.1	Brewer complete	19
3.1.2	Brewer exploded	20
3.2	Brewer outlet	22
3.3	Ingredient motor	23
3.4	Container espresso	24
3.5	Instant containers	25
3.6	Mixer parts	28
3.6.1	Mixer parts COMPONENTI	28
3.6.2	Hygiene kits	30
3.7	Grinder	31
<b>4</b>	<b>ELECTRONICS</b>	<b>32</b>
4.1	Control PCB	32
4.2	Display PCB and display	33
4.3	Output PCB	34
4.4	Power supply PCB	35
4.5	Programmer	36



VENDING TECHNOLOGIES

## PARTS CATALOGUE

---

# 1 MACHINE HOUSING

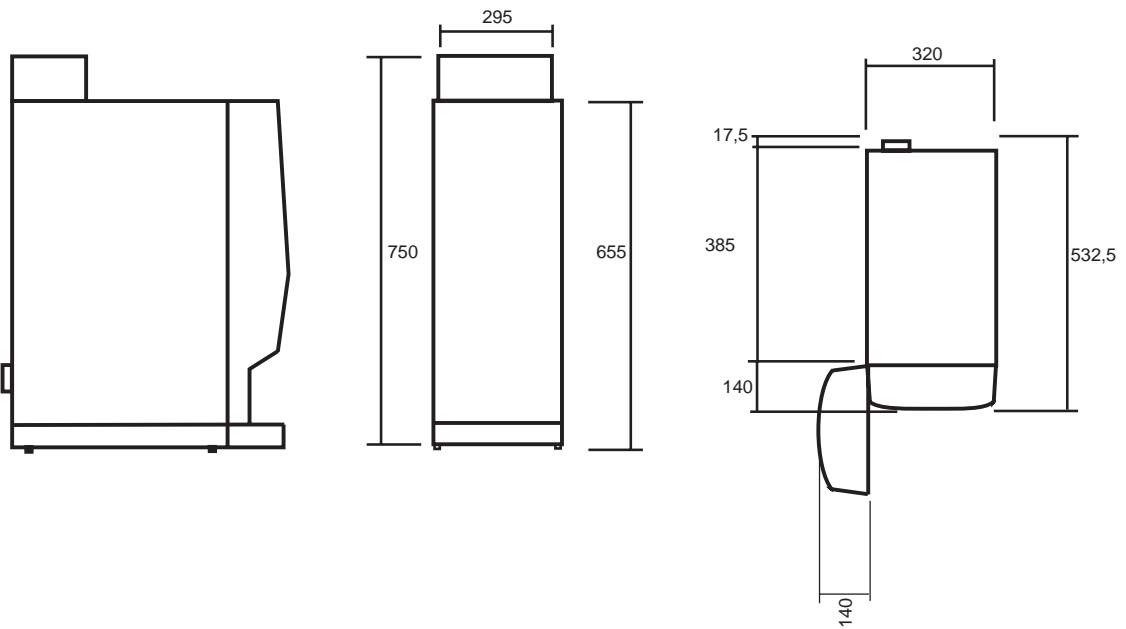
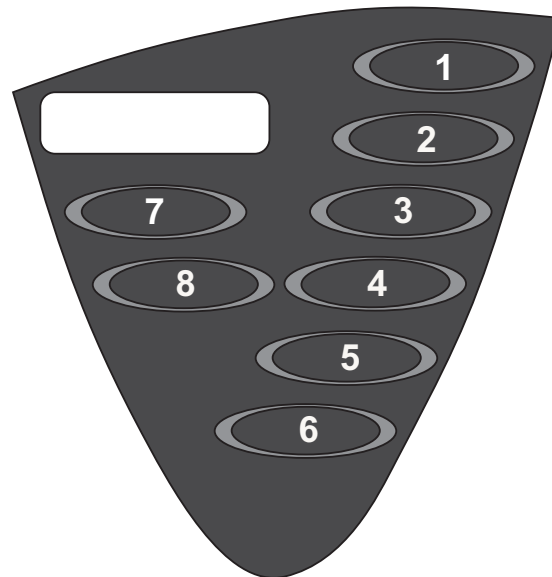


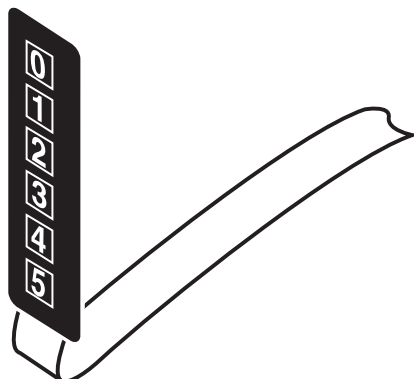
Figure 1-1 Machine housing LP14

## 1.1 Selection panel



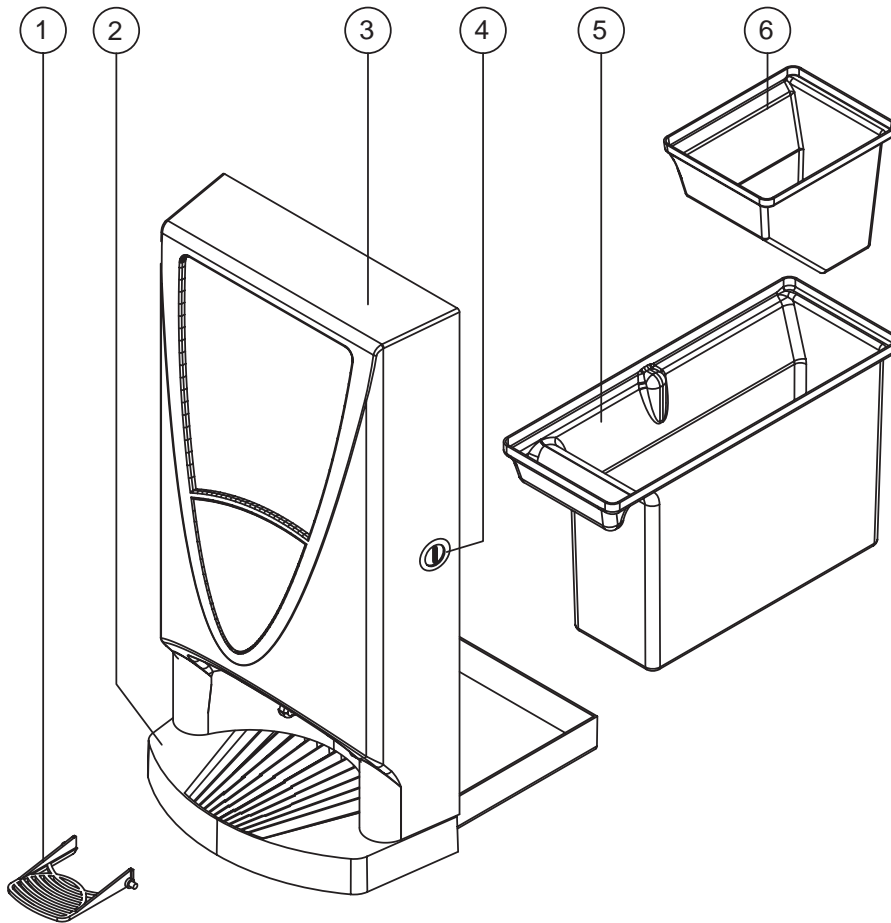
Pos number	Article code	Triton description	NL	GB	DE	FR
	967105000	Bed.pan.LP	Bedieningspaneel	Selection panel	Bedienungs-tastatur	

## 1.2 Service panels



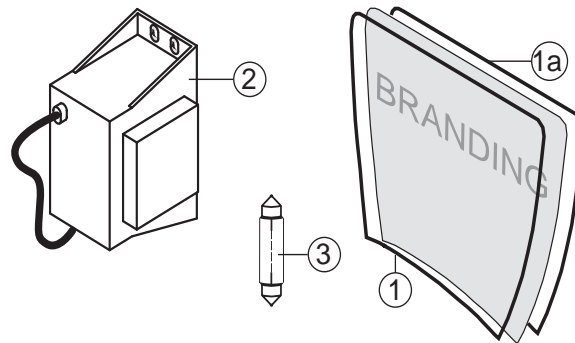
Pos number	Article code	Triton description	NL	GB	DE	FR
	965199000	Programmeer paneel	Programmeer paneel 0-5	Service panel 0-5	Programmier-tastatur 0-5	

**1.3 Door accessories**



Pos number	Article code	Triton description	NL	GB	DE	FR
1	966353000	Treef v. beker	Beker treef	Cup stand	Becherstandplatte	
2	865063000	Lekbak LP14	Lekbak LP14	Drip tray LP14	Tropfschale LP14	
3	865563112	Deur LP14 ZM	Deur	Door	Tür	
3	865057012	Deur LP14 CS	Deur	Door	Tür	
4	965210000	Slot K124 L	Slot	Lock	Schloß	
4a	966426000	Sleutels K124	2 Sleutels	2 Keys	2 Schlüssel	
5	865056200	Afvalbak	Afvalbak	Waist container	Abfallbehälter	
6	866344000	Lekbak v.afvalbak	Lekbak in afvalbak	Drip-tray in waist container	Tropfkanne im Behälter	

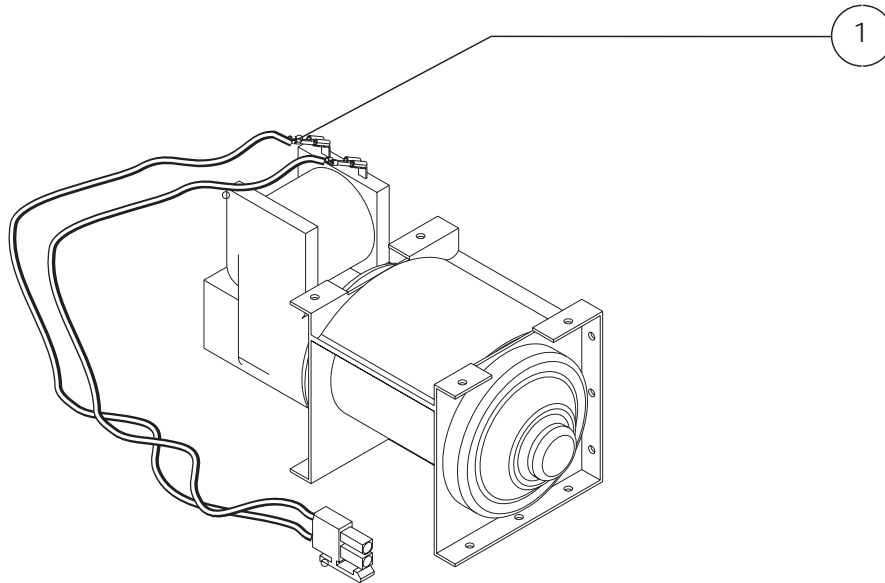
**1.3.1 Light box**



pos number	article code	Triton description	NL	EN	DE	FR
1	865565000	Glasplt.LP14	Glasplaat	Sheet of glass	Glasplatte	
1a	866058000	Plt.v.lichtbak LP14 acrylaat	Opaalglas	Opal glass	Opalglas	
2	966980200	Trafo sam.l=200	Transformator	Transformer	Transformator	
3	967531000	Lamp 22V / 7,2W IL/ CHA064-04	Lamp	Lamp	Lampe	

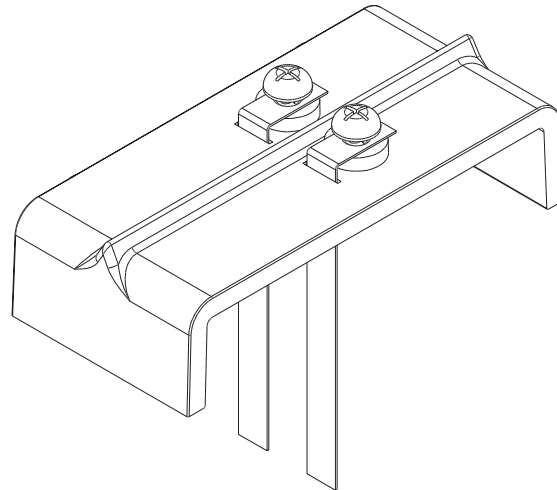
## 1.4 Extraction

### 1.4.1 Fan for steam extraction



Pos number	Article code	Triton description	NL	GB	DE	FR
1	S956806100	Ventilator + draad v. LP14	Ventilator met bedrading	Fan with wiring	Ventilator mit Anschlüsse	

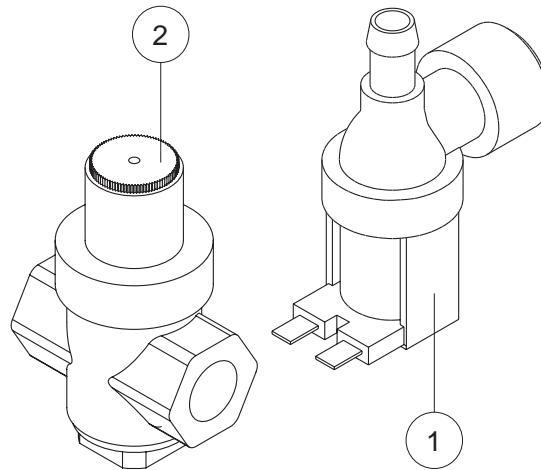
**1.5 Drip tray sensor**



pos number	article code	EVT- description	NL	EN	DE	FR
	S855051100	Lekbaksensor sam.	Lekbaksensor	Drip-tray sensor	Sensor Tropfschale	

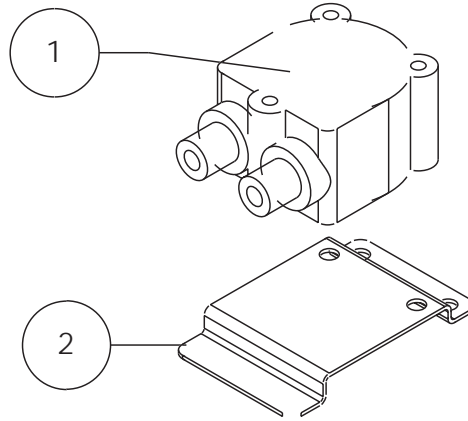
## 2 WATER SYSTEM

### 2.1 Water inlet valve and pressure regulator



pos number	article code	Triton description	NL	EN	DE	FR
1	967315000	Inlaatventiel enkelhaaks	Inlaatventiel haaks	Inlet valve angle	Einlassventil rechtwinklig	
2	865448100	Drukreducer-ventiel RP125	Drukregelaar	Pressure regulator	Druckregler	

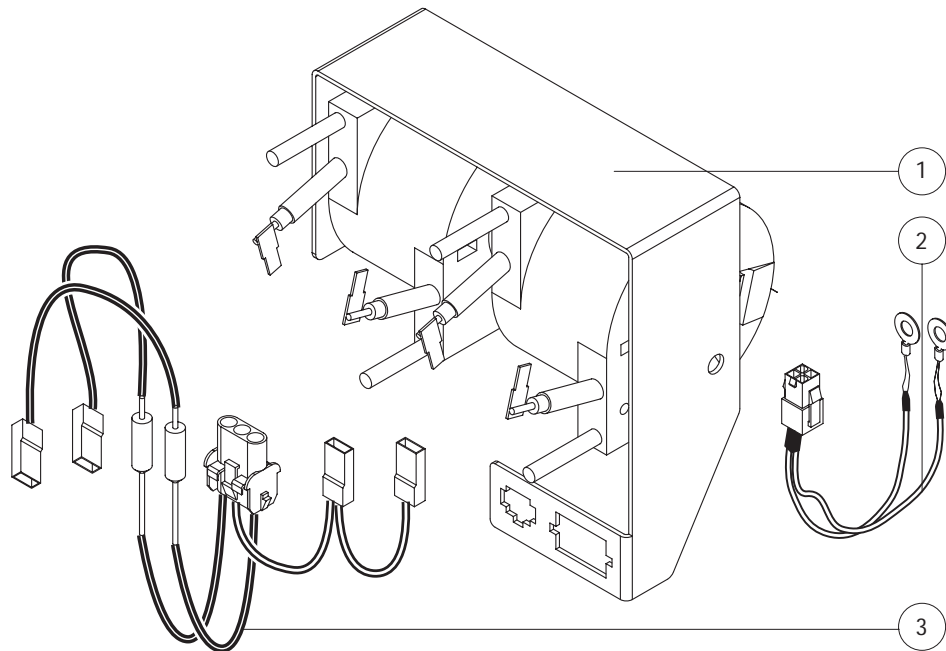
**2.2 Flowmeter**



pos number	article code	Triton description	NL	EN	DE	FR
1	865031000	Flowmeter	Flowmeter	Flowmeter	Flowmeter	
2	865444000	Mont.plt. flowmeter	Montage plaat flowmeter	Mounting plate flowmeter	Montageplatte fur flowmeter	

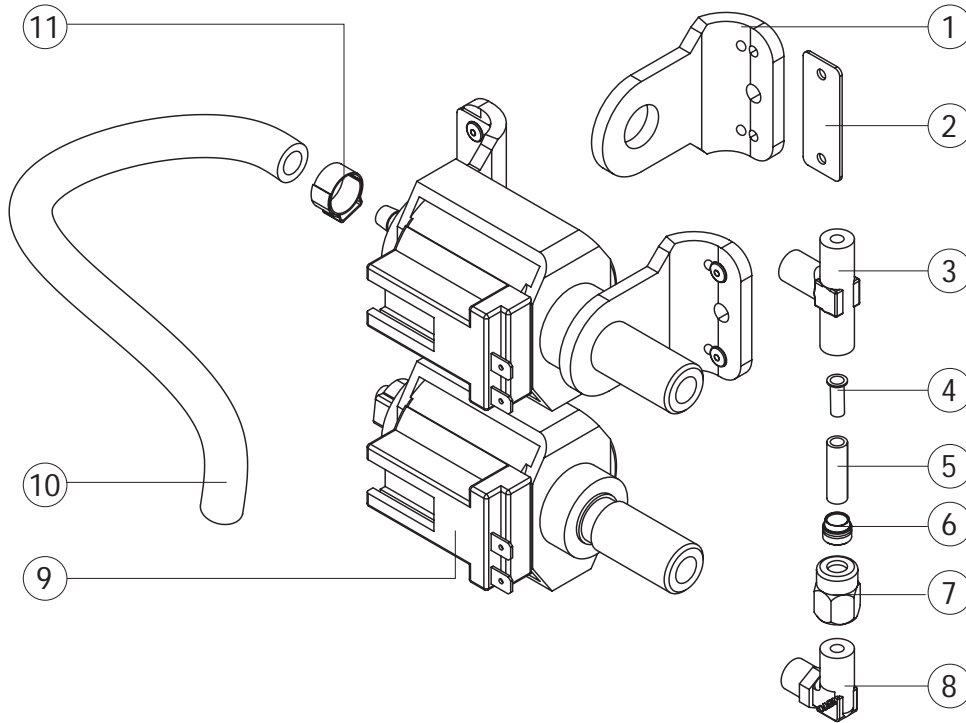
## 2.3 Boiler

### 2.3.1 Boiler



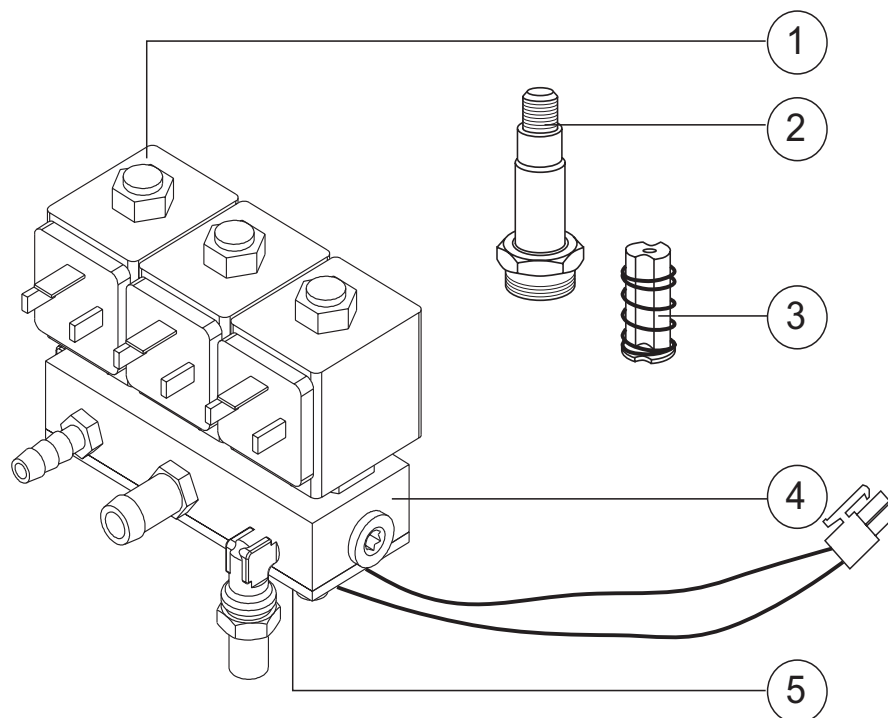
Pos number	Article code	Triton description	NL	GB	DE	
1	S855843000	Boiler compleet sam.	Boiler samenstelling compleet	Boiler assembly complete	Boiler komplette zusammenbau	
2	866134000	NTC set	NTC werstand	NTC resistance	NTC Widerstand	
3	S855087000	Beveiliging temp.sam	Temperatuur-beveiliging	Temperature safeguard	Temperatur Überlastsicherung	
	866346000	Knie-inschroefkoppeling	Slangkoppeling haaks	Hose connector knee joint	Schlauchkupplung rechtwinklig	
	866345000	Inschroefkopp.recht	Slangkoppeling recht	Hose connector straight	Schlauchkupplung gerade	

2.4 Water pump



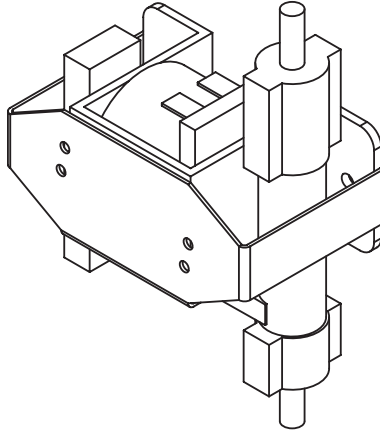
pos number	article code	Triton description	NL	EN	DE	FR
1	865024000	Rubber ophanging	Ophanging	Suspension	Aufhängung	
2	865025000	Bev.plt.v.rubber	Bevestigingsplaat	Fixing plate	Befestigungsplatte	
3	865095000	Kopp.T-st.inschr	Koppeling	Coupling	Kupplung	
4	865092000	Verstevingshuls	Huls	Bush	Hülze	
5	865093000	Slang PTFE	Slang	Hose	Schlauch	2 cm.
6	865097000	Klemring	Klemring	Ring clamp	Klemmring	
7	865096000	Moer	Moer	Nut	Mutter	
8	865094000	Kopp.haaks	Koppeling	Coupling	Kupplung	
9	565053000	Pumpe	Pomp	Pump	Pumpe	
10	865071000	Slang eripress	Slang	Hose	Schlauch	25 cm.
11	865072000	Slangklem tra-ploos	Slangklem	Hose clip	Schlauchklemme	

## 2.5 Valve



pos number	article code	Triton description	NL	EN	DE	FR
	S855073300	Ventielblok RVS sam..	Ventiel samenstelling	Valve assembly	Ventil zusammenbau	
1	865637000	Spoel 24V ventielblok	Spoel	Coil	Spule	
2	865635000	Plunjerhouder ventielblok	Houder	Holder	Spulenrohr	
3	865640000	Anker ventielblok compleet	Anker compleet	Armature complete	Ventilanker komplett	
4	865687000	Messingblok 3-weg ventiel	Messingblok	Block brass	Messingblock	
5	865629000	Element ventielblok	Element ventielblok	Valve element	Ventil element	

**2.6 Feed pump**



pos number	article code	EVT- description	NL	EN	DE	FR
	S8555590000	Pompset sam.LP14	Pomp compleet	Pump complete	Pumpe komplett	



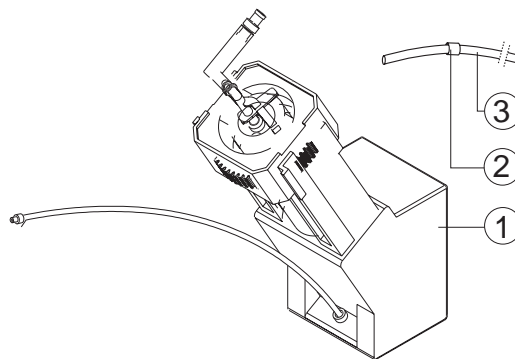
### 3 DRINK PREPARATION

The elements for a drink preparation will be discussed in this chapter.

#### 3.1 Brewer

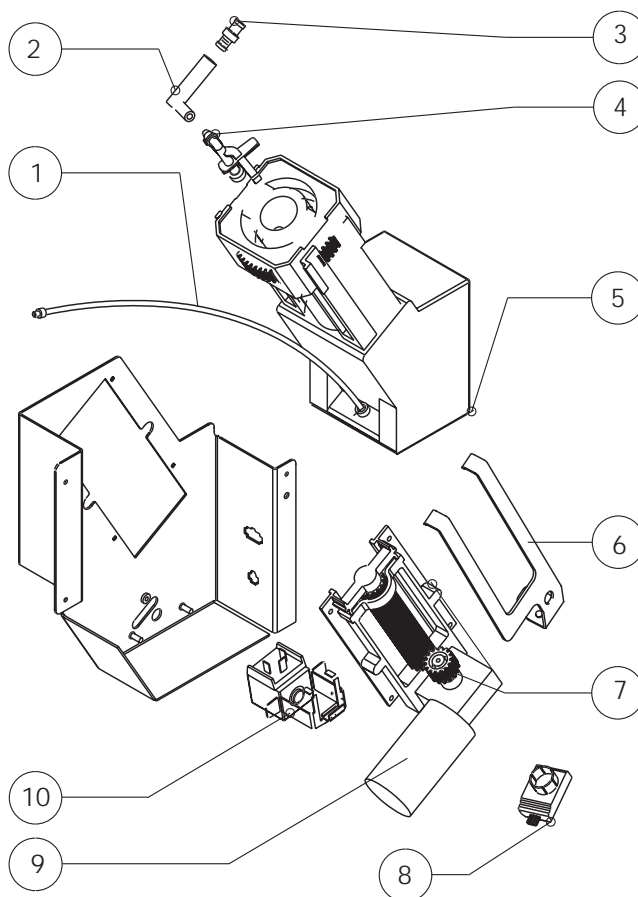
The brewer is build out of several components.

##### 3.1.1 Brewer complete



pos number	article code	Triton description	NL	EN	DE	FR
1	865042000	Zetgroep	Zetgroep samenstelling	Brewer assembly	Brewer Zusammenstellung	
2	965234000	Slang 10x2mm siliconen	Slang 10x2mm	Hose 10x2mm	Schlauch 10x2mm	
3	967086000	Slang 7x2mm siliconen	Slang 7x2mm	Hose 7x2mm	Schlauch 7x2mm	
	AEQKP003	O-ring boven v.Zetgroep	O-ring filter	O-ring filtre	O-Ring Filter	
	AEQKP004	O-ring onder v.zetgroep	O-ring zuiger	O-ring piston	O-Ring Kolben	

## 3.1.2 Brewer exploded

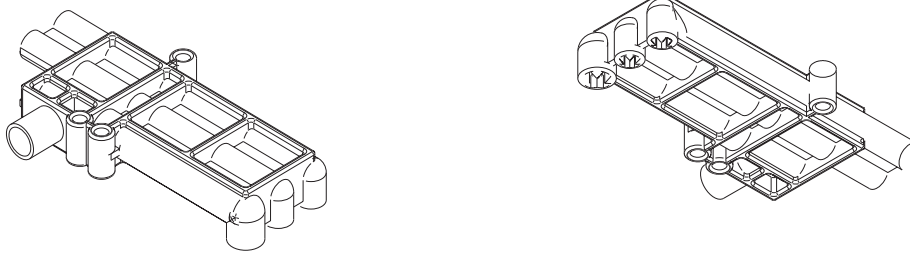


pos number	article code	Triton description	NL	EN	DE	FR
1	865460000	Slang inlaat zetgroep	Siliconen slang	Silicon hose	Silicon-schlauch	
2	865088000	Slang siliconen gevormd	Siliconenslang	Silicone hose	Silicon-schlauch	
3	865091100	Slang beluchter kunstof	Slang beluchter	Hose air vent	Schlauch Luftloch	
4	865459000	Uitloop zetgroep	Uitloop zetgroep	Outlet brewer	Auslauf Brüher	
5	865042000	Zetgroep	Zetgroep	Brewer	Brüher	
6	865989000	Motorsteun zetgroep	Steunbeugel	Supporting bracket	Stützbügel	
7	865043000	Aandrijving zetgroep	Aandrijving zetgroep	Brewer drive	Brüher Antrieb	

## PARTS CATALOGUE

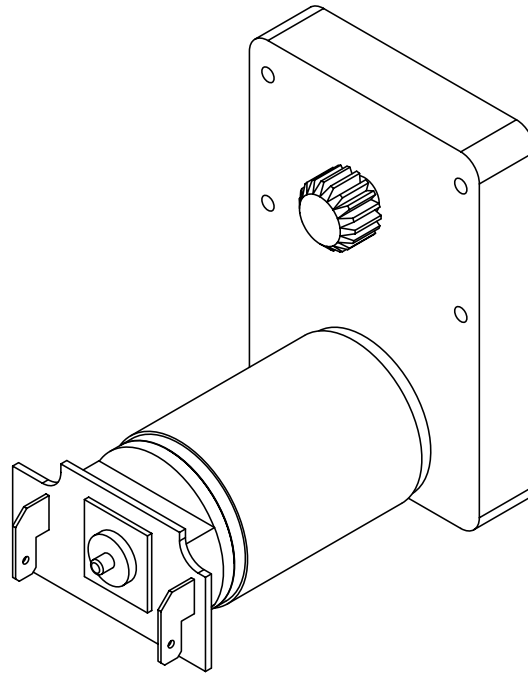
pos number	article code	Triton description	NL	EN	DE	FR
8	865044000	Stappenteller	Stappenteller	Encoder	Coder	
8a	968072000	Slangklem draad 19,2mm	Draadklem stappenteller	Wire clamp encoder	Drahtklemme Coder	
9	S855312000	Brewermotor sam.	Zetgroep motor	Brewer motor	Brüher motor	
10	865050000	Drainage ventiel	Drainage ventiel	Drain valve	Abflussventil	

### 3.2 Brewer outlet



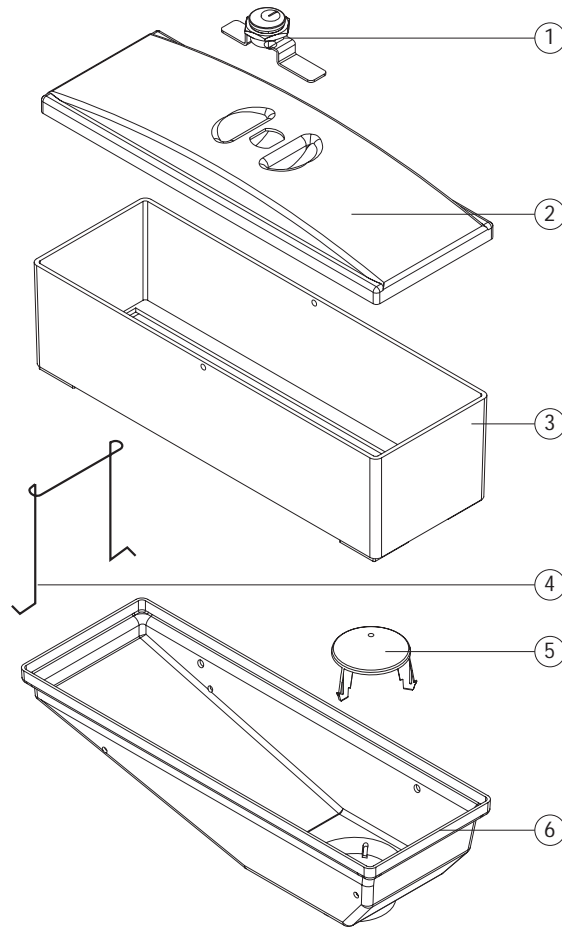
Pos number	Article code	Triton description	NL	GB	DE	FR
1	865070000	Uitloop kunststof	Uitloop 3 weg - 90 graden	Outlet 3 way - 90 degrees	Auslauf 3 Weg - 90 grad	

**3.3 Ingredient motor**



Pos number	Article code	Triton description	NL	GB	DE	FR
	967742000	Motor 24V ingr.83rpm PCB	Ingredient motor 83rpm, 24V	Ingredient motor 83rpm, 24V	Produktmotor 83rpm, 24V	

### 3.4 Container espresso

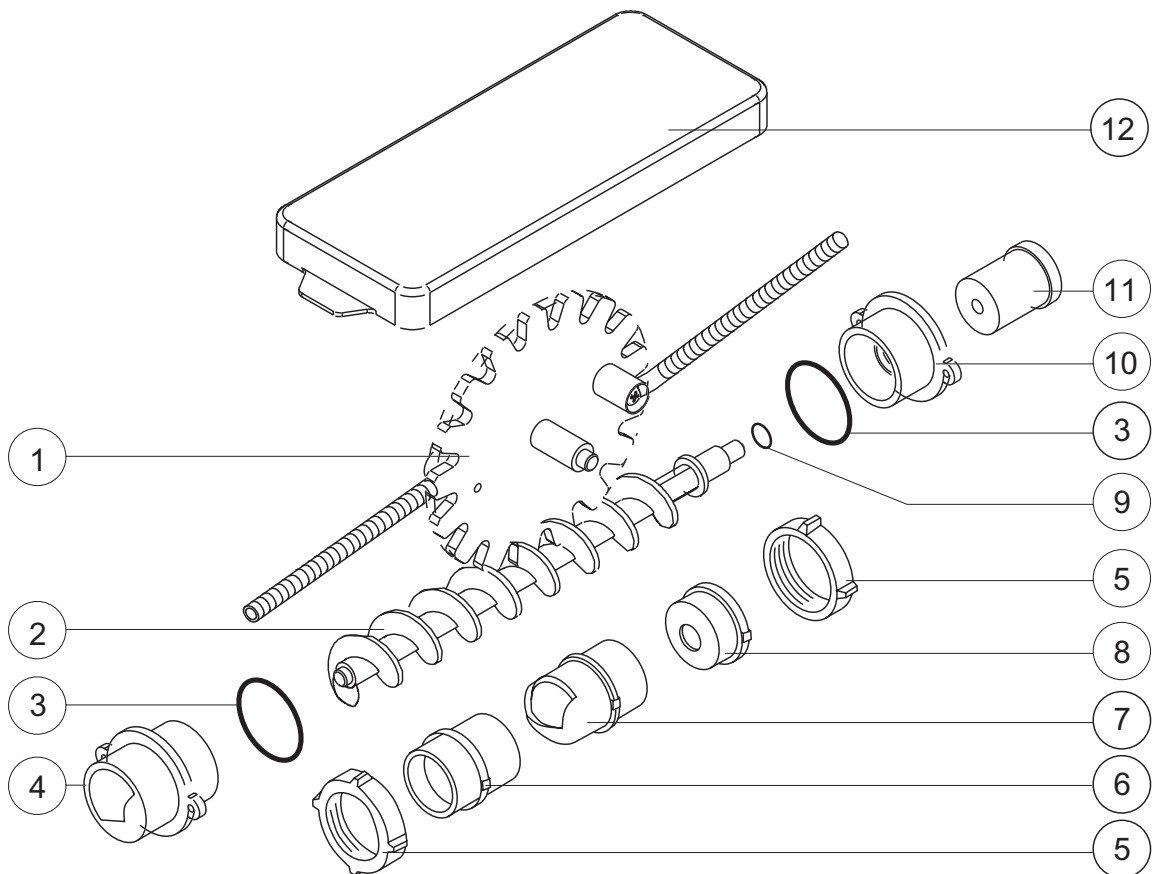


pos number	article code	Triton description	NL	EN	DE	FR
1	S855055000	Slot sam. K124L voor container	Slot	Lock	Schloß	
2	865054000	Deksel bonen container	Deksel bonen container	Cover bean container	Deckel Kaffeebohnen-container	
3	865053000	Opzetstuk bonencontainer	Opzetstuk	End-piece	Endstück	
4	865439000	Bev.beugel bonencontainer	Bevestiging-beugel	Fasteningclip	Haltebügel	
5	565102000	Abdeckung Bohnen-Einlauf	Vingerbeveiliging	Finger guard	Finger-schutz	

# PARTS CATALOGUE

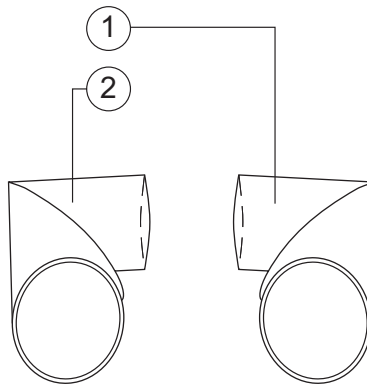
pos number	article code	Triton description	NL	EN	DE	FR
6	866334100	Trechter voor bonen	Bonen container	Bean container	Kaffeebohnencontainer	

## 3.5 Instant containers



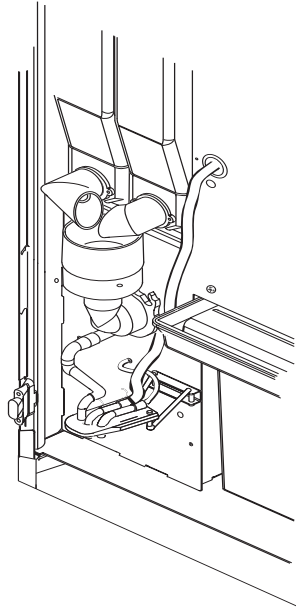
pos number	article code	Triton description	NL	EN	DE	FR
	967733100	Container b=67mm+WH +HK+neusje	Instant container compleet (smal) zonder tuit	Instant container complete (narrow) without nozzle	Instant container komplett (schmal) ohne Düse	

pos number	article code	Triton description	NL	EN	DE	FR
	967731100	Container b=78mm+WH +HK+neusje	Instant container complete zonder tuit	Instant container complete (wide) without nozzle	Instant container komplett (breit) ohne Düse	
1	968002000	Wormtandwiel met veren	Wormtandwiel met veren	Toothed wheel with springs	Zahnrad mit Feder	
2	968003000	Worm	Worm	Worm	Schnecke	
3	968004000	O-ring v. worm	O-ring	O-ring	O-Ring	
4	967544000	Doseertuit met flens+bev.gaten	Doseertuit	Metering nozzle	Dosierdüse	
5	866152000	Wartelmoer	Wartelmoer	Cap nut	Bundmutter	
6	866153000	Flens rond	Flens (koffie)	Flange nozzle (coffee)	Flanch (Kaffee)	
7	866154000	Flens half-rond	Flens (topping, chocolate)	Flange (topping, chocolate)	Flanch (Topping, Kakao)	
8	866155000	Flens achterzijde	Flens achterkant	Flange back	Flansch Rückseite	
9	968007000	O-ring v.pos.flens	O-ring	O-ring	O-Ring	
10	968006000	Pos.flens achterzijde	Flens	Flange	Flansch	
11	865440000	Koppelstuk cont.V2k	Koppeling	Coupling	Kopplung	
12	866150000	Deksel 67mm	Deksel (smal)	Lid (narrow)	Deckel (schmal)	
12a	866151000	Deksel 78mm	Deksel (breed)	Lid (wide)	Deckel (breit)	

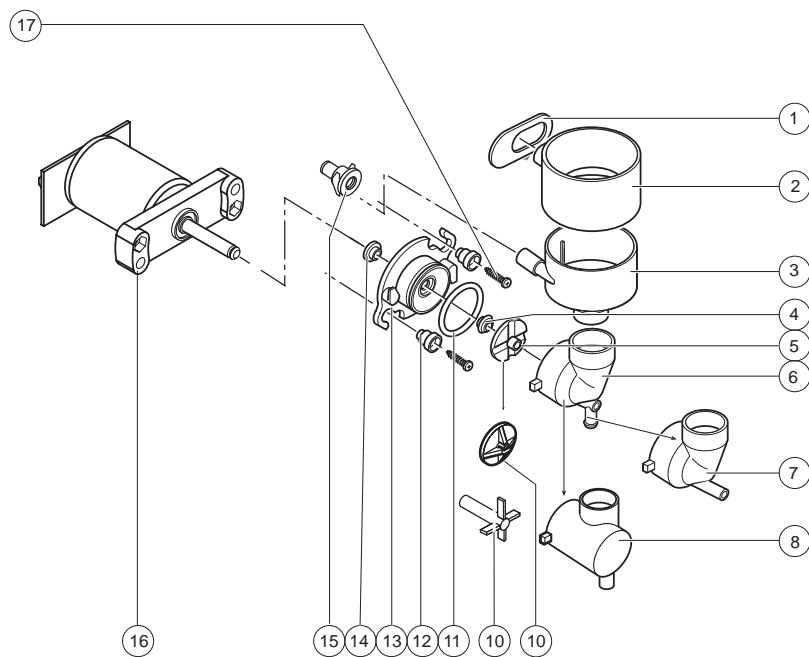


pos number	article code	Triton description	NL	EN	DE	FR
1	967765000	Doseertuit naar links Comp.	Doseertuit naar links	Nozzle to the left	Düse nach links	
2	967764000	Doseertuit naar rechts Comp.	Doseertuit naar rechts	Nozzle to the right	Düse nach rechts	

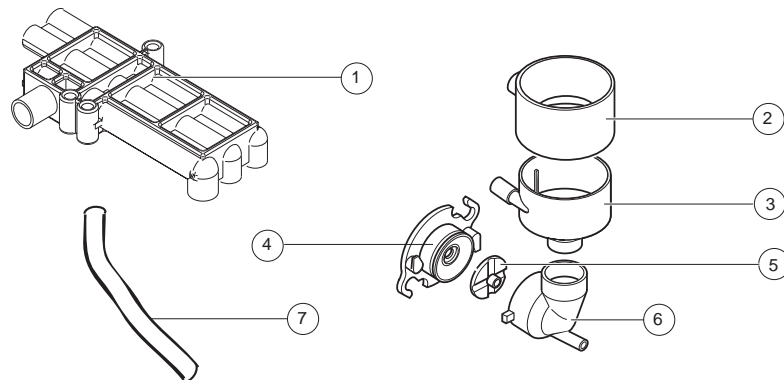
### 3.6 Mixer parts



#### 3.6.1 Mixer parts COMPONENTI

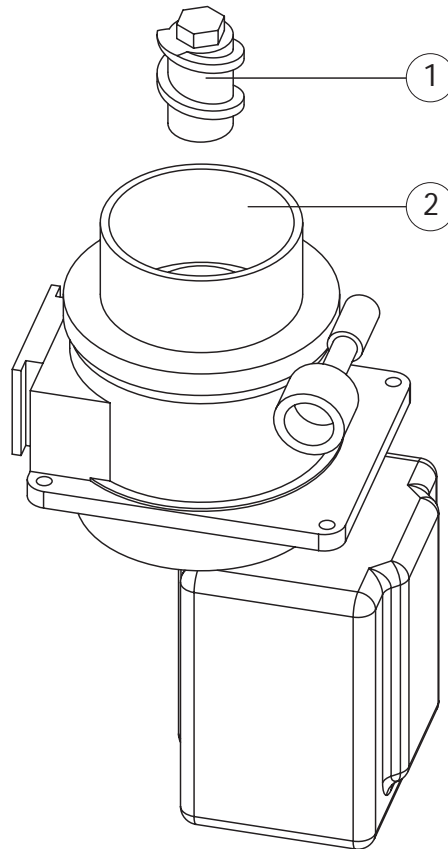


pos number	article code	Triton description	NL	EN	DE	FR
1	966510000	afdichting v. afzuigkap	afdichting afzuigkap	sealing extraction hood	Dichtung	
2	966509000	afzuigkap v. mengkamer	afzuigkap	extraction hood	Abzugshaube	
3	966516000	mengkamer met rem	mengkamer met rem	mixing bowl with brake	Mischkammer	
4	966505100	afdichting v. achterplt. nieuwe	afdichting mengkamer	seal whipper chamber	Dichtung Mischkammer	
5	967580000	scheprad Ø30.5x11.7	mixerblad	impeller	Mischerblatt	
6	966507000	mengkamer	mengkamer	whipper chamber	Mischkammer	
7	966579000	mengkamer vooruitloop	mengkamer	whipper chamber	Mischkammer	
8	966514000	menkamer onderuitloop	mengkamer	whipper chamber	Mischkammer	
9	966517000	scheprad dikt v. mengkam.	mixerblad	impeller	Mischerblatt	
10	966506100	vin v. mengkamer	mixerblad	impeller	Mischerblatt	
11	966557000	O-ring v. mengkamer componenti	O-ring	O-ring	O-ring	
12	966501000	afstandsbus mixermotor	montage bus achterplaat	pillar	Montagebühse	
13	966504100	achterplt. v. mixermotor	achterplaat mixer motor	base for whipper motor	Hintere Platte Mischermotor	
14	966503000	afdichting v. mixermotor	afdichting mixer motor	sealing for whipper motor	Dichtung Mischermotor	
15	966511000	inlaatpijp v. mengkamer	inlaatpijp mengkamer	coupling mixing bowl	Kupplung Mischkammer	
16	967743000	Motor v.mixer 24V PCB	mixer motor	whipper motor	Mischermotor	
17	967187000	schr. KA40x20 WN 1412	schroef	screw	Schraube	

**3.6.2 Hygiene kits**


pos number	article code	Triton description	NL	EN	DE	FR
	S957064000	Hygiene kit LP14	Hygiene kit	Hygiene kit	Hygiene Aus-rüstung	Hygiene equipement
1	865070000	Uitloop kunststof	Uitloop 3 weg - 90 graden	Outlet 3 way - 90 degrees	Auslauf 3 Weg - 90 grad	
2	966509000	Afzuigkap v. mengkamer	Afzuigkap	Extraction hood		
3	966516000	Mengkamer met rem	Mengkamer met rem	Mixing bowl with brake		
4	966504100	Achter-plt.v.mixer-motor	Achterplaat voor mixer-motor	Plate for mixer-motor		
5	966517000	Scheprad dikt.v. mengkamer	Mixerblad	Impeller		
6	966579000	Mengkamer vooruitloop	Mengkamer	Whipper chamber		
7	965593000	Slang 8x2mm siliconen	Siliconen slang	Silicon hoos		

**3.7 Grinder**



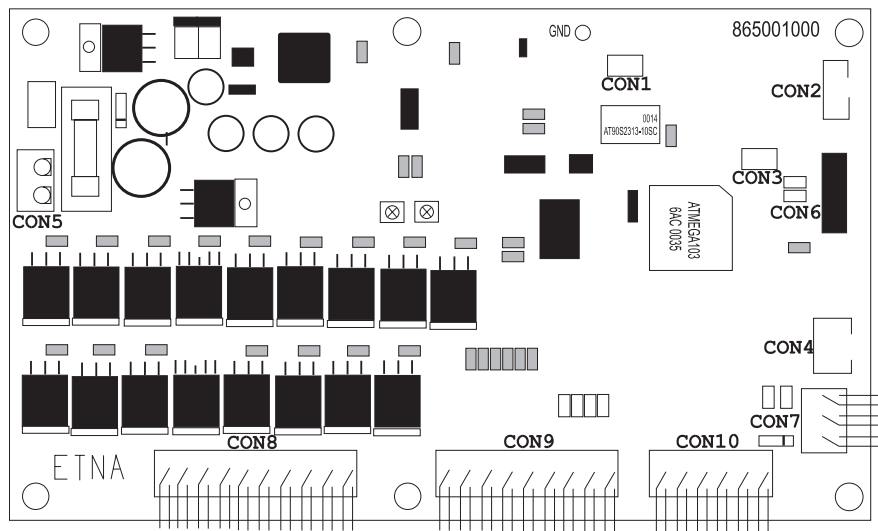
Pos number	Article code	Triton description	NL	GB	DE	FR
1	866343000	Worm bonenmaler	Worm	Worm	Schnecke	
2	S856340000	Bonenmaler	Bonenmaler met worm	Grinder with worm	Mühle mit Schnecke	

## 4 ELECTRONICS

The LP 14/2 has 4 PCB's.

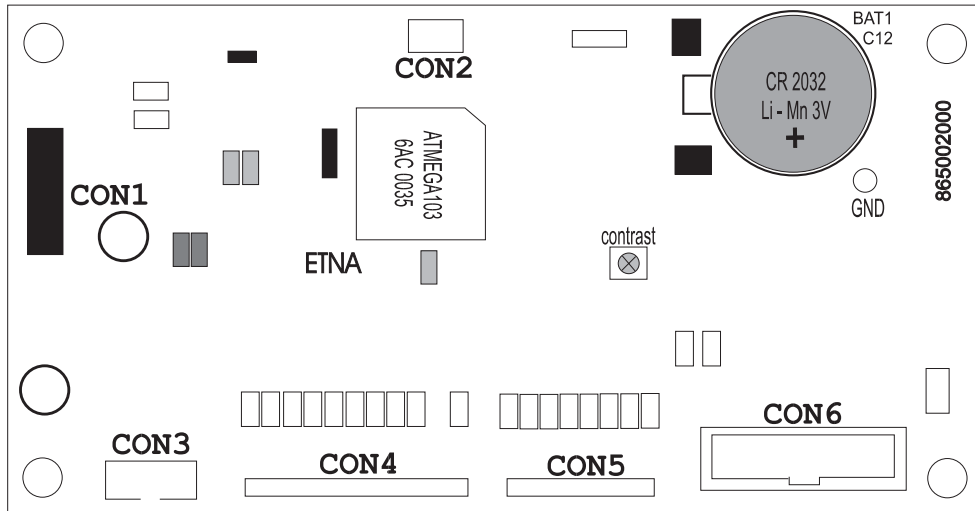
1. Control PCB
2. Display PCB
3. Output PCB
4. Power supply PCB

### 4.1 Control PCB



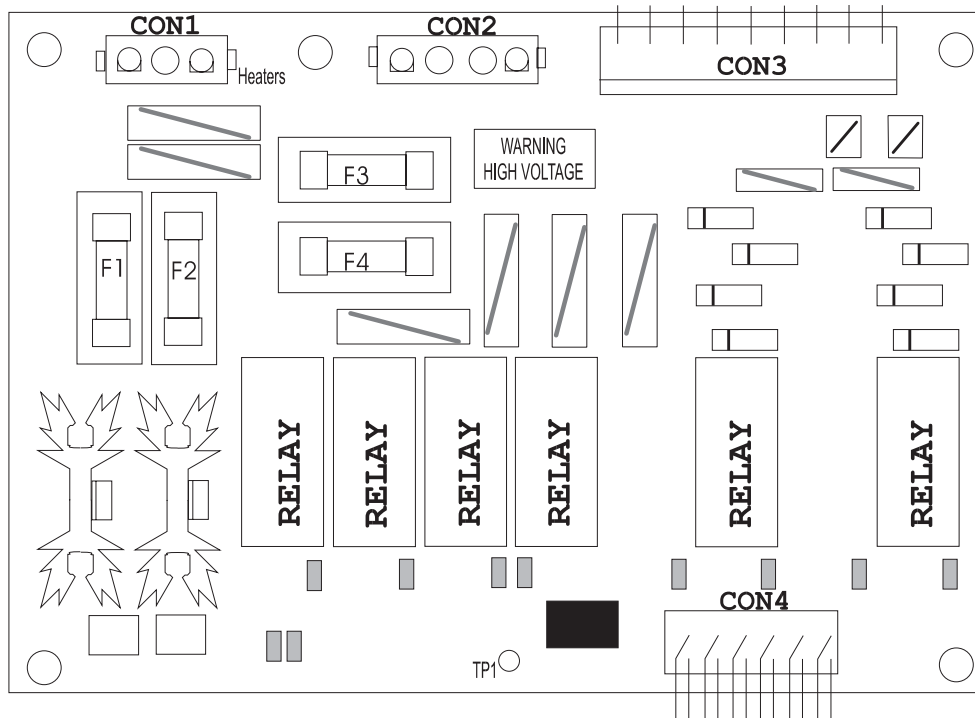
Pos number	Article code	Triton descriptio	NL	GB	DE	FR
1	S855001000	Besturing-sprint	Besturing-sprint	Control PCB	Steuerplatine	

4.2 Display PCB and display



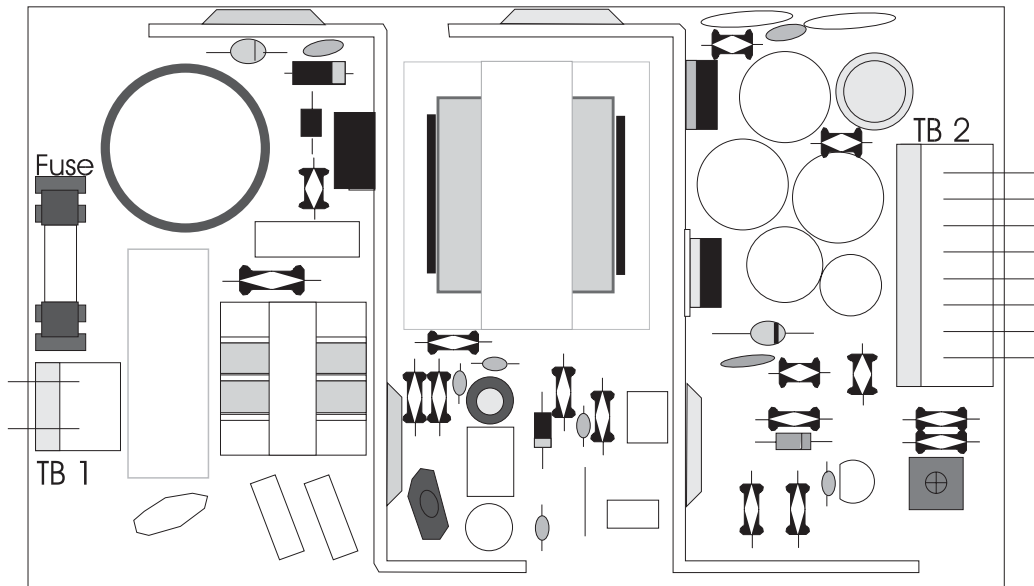
Pos number	Article code	Triton description	NL	GB	DE	FR
	S855002000	EV displ.print	Displayprint met software	Display PCB with software	Anzeigeplatine mit Software	
	865076100	LCD 2x16 karakter module	Display	Display	Anzeige	
	S955198000	Bandkabel LCDisplay	Bandkabel	Flat cable	Bandkabel	

### 4.3 Output PCB



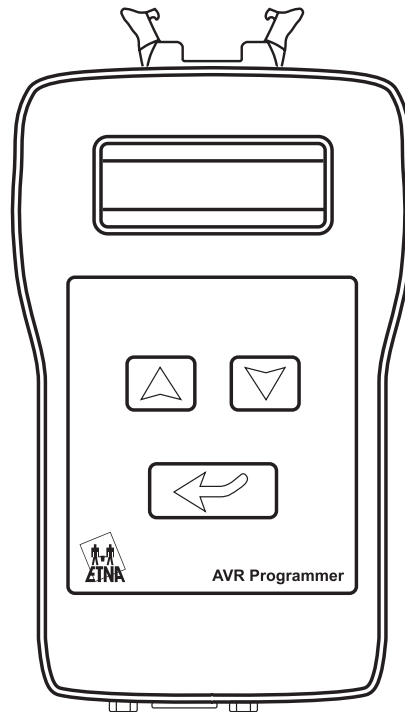
Pos number	Article code	Triton description	NL	GB	DE	FR
1	866446000	EV extentie-print AC molens	Extentieprint	Extention print	Erweiterungs-platine	

**4.4 Power supply PCB**



Pos number	Article code	EVT description	NL	GB	DE	FR
1	865005100	EV voeding	Voedingsprint	Power supply	Stromversorgungseinheit	

## 4.5 Programmer



pos number	article code	EVT- description	NL	EN	DE	FR
	865621200	Programmer Atmel v.1.11c/1	Programmeerunit compleet	Programmer complete	Programmiergerät komplet	



